



Total Solution Provider in Saw Device

SA36FF

38.9 MHz IF SAW Filter
Revision 5 : 29. Oct. 2007



- Electrical Characteristics
 - Package Dimensions
 - Testing Environment
 - Frequency Characteristics
-

SAWNICS Inc.

460 Cheonheung-ri, Seonggeo-eup, Cheonan-si, Chungcheongnam-do, 330-836 / Korea.
Tel: +82 41 550 9372 / Fax: +82 41 550 9399 / www.sawnics.com

□ Electrical Characteristics

Maximum Ratings

Parameters Description	Unit	Minimum	Typical	Maximum
Operation Temperature Range	°C	-30	-	80
Storage Temperature Range	°C	-40	-	85
Maximum DC Voltage	V	-	-	10
Maximum Input Power	dBm	-	-	10
Source Impedance (single ended) ⁽¹⁾	Ω	-	50	-
Load Impedance (single ended) ⁽¹⁾	Ω	-	50	-
Package type&size	F			
Length x Width	mm ²	-	34.7 x 12.6	-
Height	mm	-	-	5.05

Electrical Specification

Parameters Description	Unit	Minimum	Typical	Maximum
Nominal Frequency (Fo)	MHz	-	38.9	-
Insertion Loss at Fo	dB	-	30.0	31.5
Group Delay Variation (33.2~39.0 MHz) (smo 1%)	nsec	-	50	60
Absolute Delay at Fo	µsec	-	4.2	-
Temperature Coefficient	ppm/°C	-	-	94
Amplitude Ripple Variation (33.2~39.0 MHz)	dB _{p-p}	-	0.5	0.7
Relative Attenuation				
~ 26.40MHz	dB	55	60	-
26.00MHz	dB	55	62	-
32.00MHz	dB	50	60	-
32.40MHz	dB	40	52	-
33.15MHz	dB	-0.5	0.1	0.5
39.40MHz	dB	-0.5	0.1	0.5
40.15MHz	dB	40	50	-
40.40MHz	dB	50	55	-
45.80MHz	dB	55	60	-
45.80MHz ~	dB	55	60	-
Reflected wave signal suppression 2.5us~12.0us after main pulse	dB	48	54	-

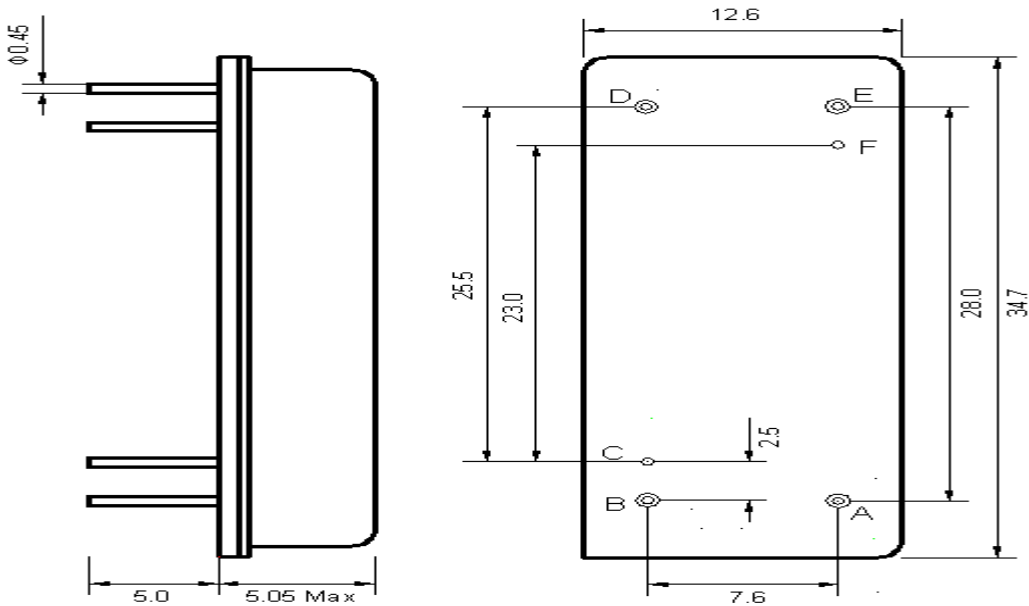
Notes : (1) With Matching Network (Ref. Testing Environment Circuit as shown below).

Those impedances could be modified with different impedance values and/or structures, if necessary.

All Specifications at Tambient : +40°C

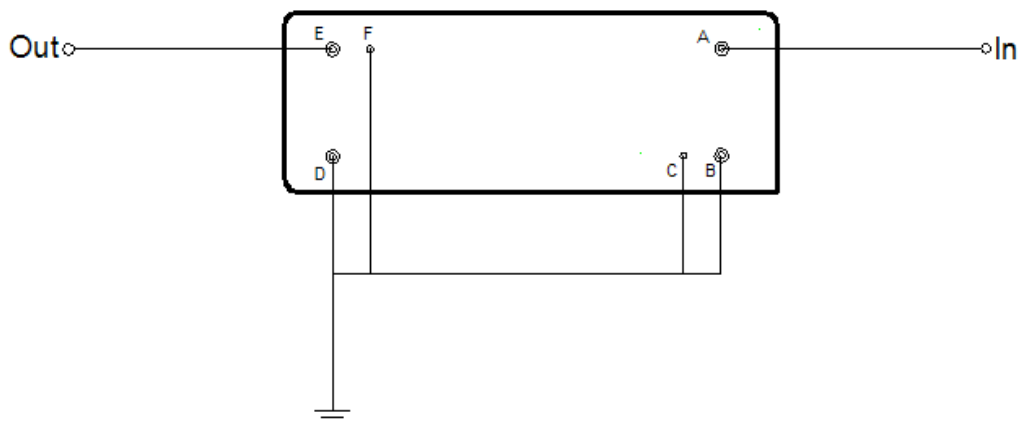
Operating Temperature Range: -20 to +70°C

Package Dimensions



Pin Description	
B, C, D, F	Ground
A	Input
E	Output

Testing Environment



Source & Load Impedance: 50 Ω

□ Frequency Characteristics

Frequency Response

